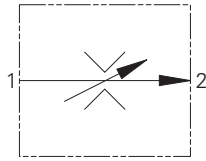


# FR2-16 - Flow Regulator

Limited range, adjustable pressure compensated  
114 L/min (30 USgpm) • 210 bar (3000 psi)



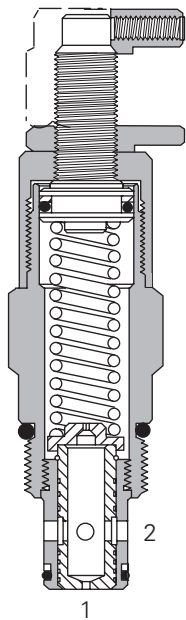
## Operation

This valve maintains a constant flow from port 1 to port 2 based on the setting adjustment, regardless of pressure changes downstream on port 2. Reverse flow from port 2 to port 1 is at the value of the fixed orifice and is non-pressure compensated.

## Features

Hardened and ground and honed working components.  
Cartridge construction for maximum mounting flexibility.

## Sectional View



## Performance Data

### Ratings and Specifications

Performance data is typical with fluid at 21,8 cSt (105 SUS) and 49°C (120°F)

Typical application pressure (all ports)	210 bar (3000 psi)
Cartridge fatigue pressure (infinite life)	210 bar (3000 psi)
Rated flow	114 L/min (30 USgpm)
Temperature range	-40° to 120°C (-40° to 248°F)
Flow regulation accuracy	1,9–10,9 L/min (0,5–2,9 USgpm) ±15% 11,4–114 L/min (3–30 USgpm) ±10%
Factory set maximum flow rate accuracy under standard test conditions and within the above ranges	
Cavity	C-16-2
Fluids	All general purpose hydraulic fluids such as: MIL-H-5606, SAE 10, SAE 20 etc.
Filtration	Cleanliness code 18/16/13
Standard housing material	Aluminum
Weight cartridge only	0,71 kg (1.57 lbs)
Seal kit	565810 (Buna-N) 889609 (Viton)

Viton is a registered trademark of E.I. DuPont

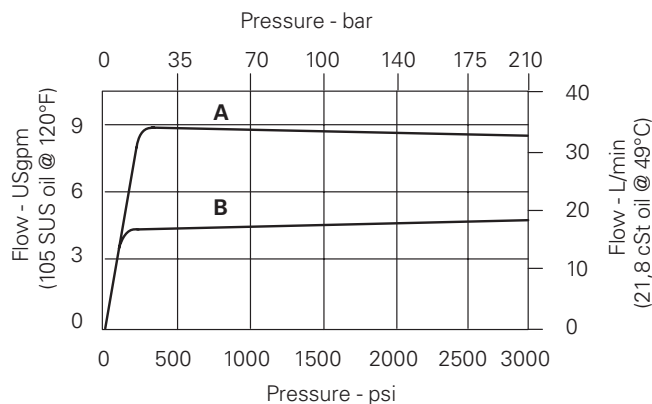
## Description

This valve is a limited range adjustable, pressure compensated, screw-in flow regulator cartridge valve.

The flow adjustment is from the factory set maximum flow rate down to 50% of that factory set flow rate.

## Typical Flow Regulation

Cartridge only



A - 114 L/min (30.0 USgpm)

B - 38 L/min (10.0 USgpm)

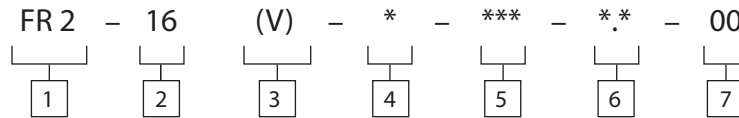
C - 9,5 L/min (2.5 USgpm)

Where measurements are critical request certified drawings. We reserve the right to change specifications without notice.

# FR2-16 - Flow Regulator

Limited range, adjustable pressure compensated  
114 L/min (30 USgpm) • 210 bar (3000 psi)

## Model Code



**1** Function  
FR2 - Flow regulator

**2** Size  
16 - 16 Size

**3** Seal material  
Blank - Buna-N  
V - Viton®

**4** Adjustment  
C - Cap  
K - Knob  
S - Screw  
Y - Knob (Stainless)

**5** Port Size

Code	Port Size	Housing Number	Aluminium Light duty	Aluminium Fatigue rated
0	Cartridge only			
6B	3/4" BSPP	02-175463	-	-
12T	SAE 12	566149	-	-
4G	1/2" BSPP	-	876716	-
6G	3/4" BSPP	-	876718	-
10H	SAE 10	-	876717	-
12H	SAE 12	-	876713	-

See section J for housing details.

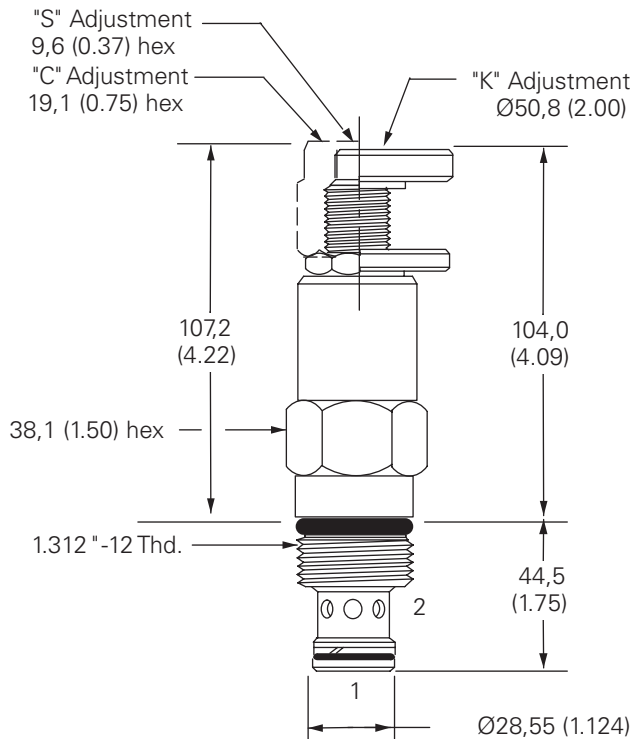
**6** Factory Set Flow Rate,  
(Specify in USgpm)  
Range 1,9-114 L/min  
(0.5-30 USgpm)

**7** Special features  
00 - None  
(Only required if valve has special features, omitted if "00")  
SS - 316 Stainless Steel external components

## Dimensions

mm (inch)  
Cartridge  
Basic Code  
FR2-16

Torque cartridge in  
aluminum housing to  
108-122 Nm (80-90 ft lbs)



## Installation Drawing

