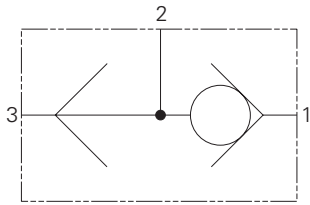


DSV1-10 - Shuttle Valve

Ball Type

23 L/min (6 USgpm) • 210 bar (3000 psi)



Operation

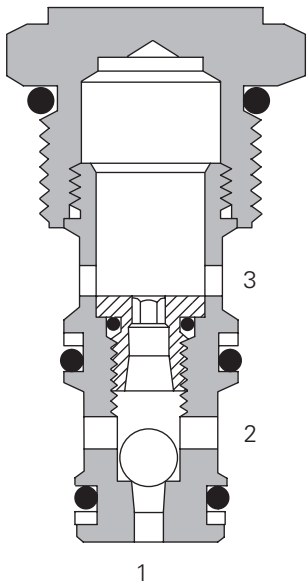
When a higher pressure is sensed at inlet 1 than at inlet 2 the ball within the cartridge is forced against a seat opening the higher pressure to outlet.

When the higher pressure appears at inlet 2 the ball is forced against the other seat which blocks inlet 1 and opens up inlet 2 to outlet.

Features

Cartridge design enabling speedy servicing when mounted in a body or in a composite manifold.

Sectional View



Performance Data

Ratings and Specifications

Performance data is typical with fluid at 21,8 cSt (105 SUS) and 49°C (120°F)

Maximum pressure	210 bar (3000 psi)
Cartridge fatigue pressure (infinite life)	210 bar (3000 psi)
Rated flow	23 L/min (6 USgpm)
Internal leakage	Between ports 2 to 1, and 2 to 3 <5 drops/min @ 210 bar (3000 psi)
Cavity	C-10-3
Temperature range	-40°C to +120°C (-40° to + 248°F)
Fluids	All general purpose hydraulic fluids such as MIL-H-5606, SAE 10, SAE 20, etc.
Filtration	Cleanliness code 18/16/13
Standard housing materials	Aluminum
Weight cartridge only	0,08 kg (0.18 lbs)
Seal kits	565804 (Buna-N) 889599 (Viton)

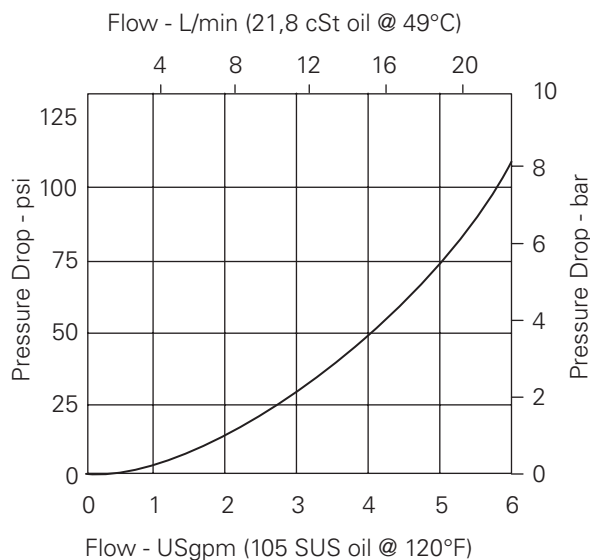
Viton is a registered trademark of E. I. DuPont

Description

This valve provides a means of sensing the higher pressures between two lines on a hydraulic circuit allowing this line to be used for an auxiliary function such as the removal of a mechanically applied brake, the operation of a gauge or to give a remote pressure sensing line for the control of a separate valve.

Pressure Drop

Cartridge only

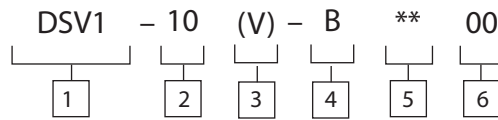


DSV1-10 - Shuttle Valve

Ball Type

23 L/min (6 USgpm) • 210 bar (3000 psi)

Model Code



1 Function
DSV1 - Shuttle Valve

2 Size
10 - 10 Size

3 Seals
Blank - Buna-N
V - Viton

4 Style
B - Ball Type

5 Port Size

Code	Port Size	Housing Number - Body Only	
		Aluminum Light Duty	Steel Fatigue Rated
0	Cartridge only	-	-
3B	3/8" BSPP	02-173358	-
6T	SAE 6	566162	-
2G	1/4" BSPP	-	876705
3G	3/8" BSPP	-	876714
6H	SAE 6	-	876704
8H	SAE 8	-	876711

See section J for housing details.

6 Special Features

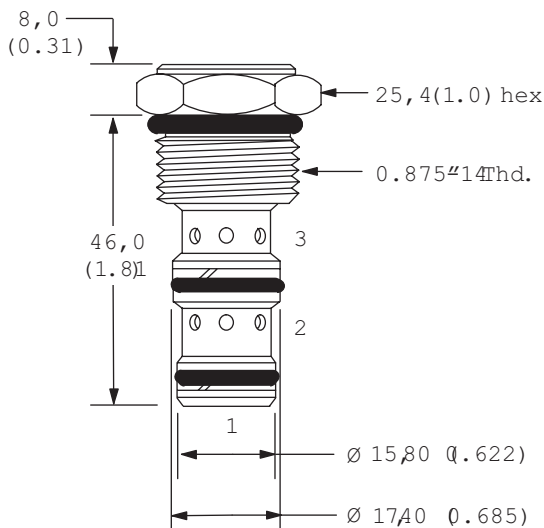
00 - None
(Only required if valve has special features, omitted if "00.")
SS - 316 Stainless Steel external components

Dimensions

mm (inch)

Note: Torque cartridge in Aluminum or Steel housing
47-54 Nm (35-40 ft. lbs).

Cartridge Only
Basic Code
DSV3-10



Installation Drawing

