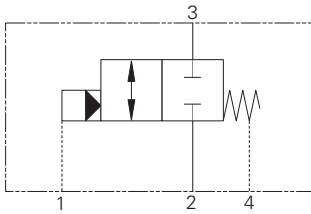


1RDS702 - Pilot to Shift Valve

Pilot to shift directional valve

80 L/min (20 USgpm) • 420 bar (6090 psi)



Operation

When a pre-set pilot pressure is reached the spool moves back against the spring either opening or closing the line between inlet and outlet.

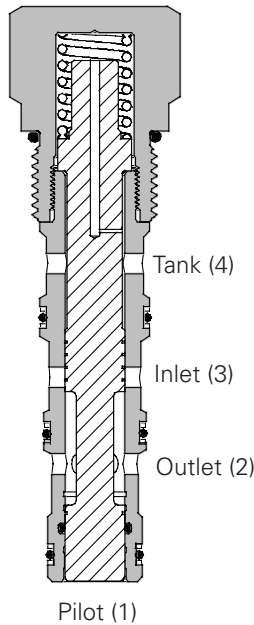
When the pilot pressure falls the valve will return to its normal position.

Features

Cartridge design enabling speedy servicing when mounted in a body or in a composite manifold.

Sectional View

D



Performance Data

Ratings and Specifications

Performance data is typical with fluid at 32 cST (150 SUS)

Max working pressure	420 bar (6090 psi)
Rated flow	80 L/min (20 USgpm)
Internal leakage	90 ml/min nominal per land
Temperature range	-30° to 90°C (-22° to 194°F)
Cavity	A21145 (see Section M)
Torque cartridge into cavity	67 Nm (50 lbs ft)
Mounting position	Unrestricted
Filtration	BS5540/4 Class 18/13 (25 micron or better)
Nominal viscosity range	5 to 500 cSt
Pilot pressure	7 or 10 bar (101.5 or 145 psi)
Cartridge material	All working parts hardened and ground steel. External surfaces zinc plated.
Standard housing materials	Aluminum and Steel
Weight	1RDS702 .37 kg (.8 lbs), 1RDS752 1.97 kg (4.3 lbs)
Seal kit	SK1227 (Nitrile) SK1227V (Viton)

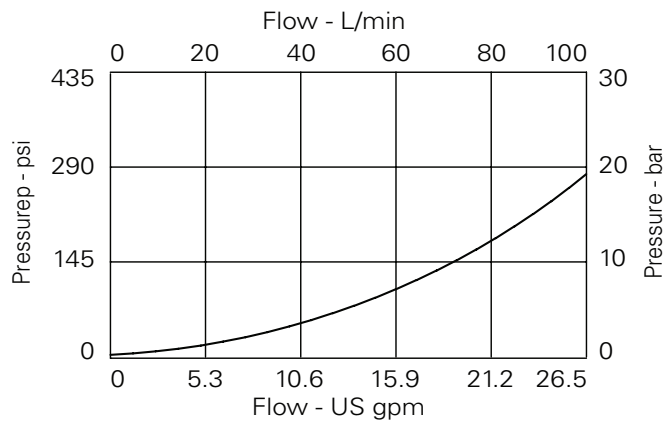
Viton is a registered trademark of E.I. DuPont

Description

This valve provides a means of interrupting a pressure line when a predetermined pilot pressure is reached in a normally open or normally closed form.

The valve can be used in any pilot or small flow system as a remotely operated sequence valve.

Pressure Drop

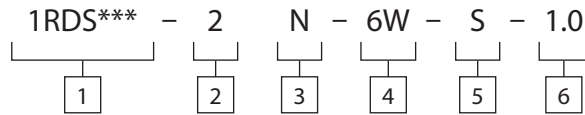


1RDS702 - Pilot to Shift Valve

Pilot to shift directional valve

80 L/min (20 USgpm) • 420 bar (6090 psi)

Model Code



1 Function
 1RDS702 - Cartridge only
 1RDS752 - Cartridge and body

2 Options
 2 - Normally closed

3 Adjustment Means
 N - Fixed

4 Port Size

Code	Port Size	Housing Number	
		Aluminum	Steel
Omit	Cartridge only		
6W	3/4" BSP	B21818	B21819
12T	3/4" SAE	B21822	B21823

5 Seals
 S - Nitrile
 SV - Viton

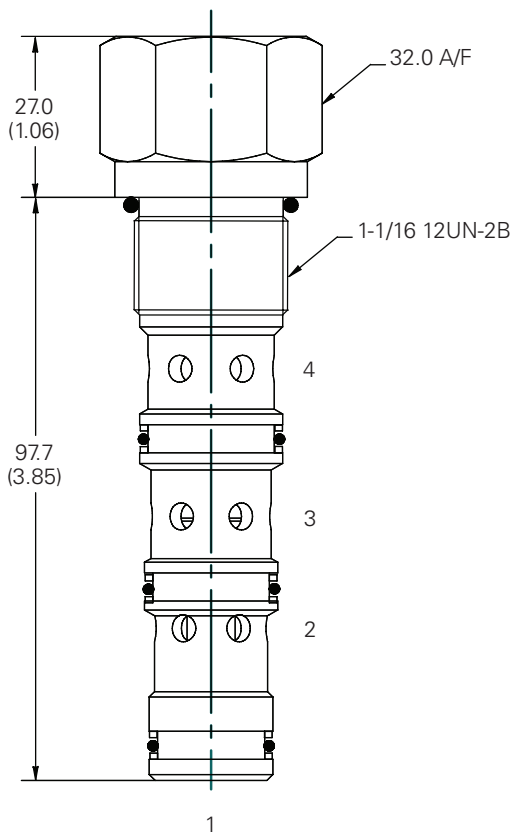
6 Pilot Pressure
 .7 - 7 bar
 1.0 - 10 bar

Dimensions

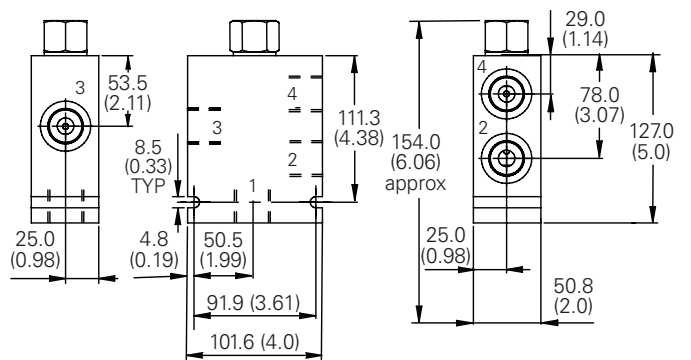
mm (inch)

Note: For applications above 210 bar (3000 psi), please consult our technical department or use the steel body option.

Cartridge Only



Installation Drawing



D